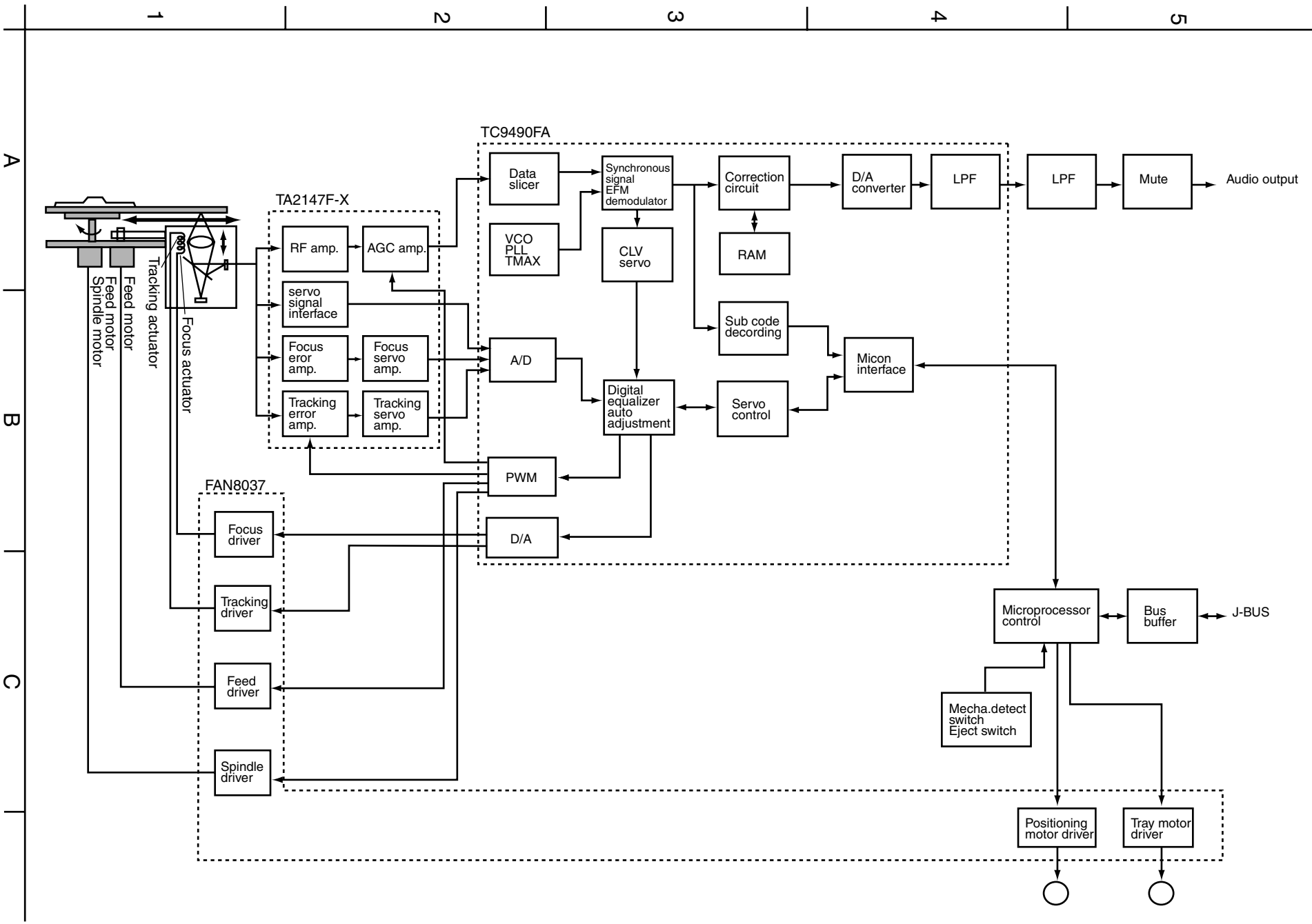


# Block Diagram



**< M E M O >**

# Standard schematic diagrams

## ■ Main circuit 1/2

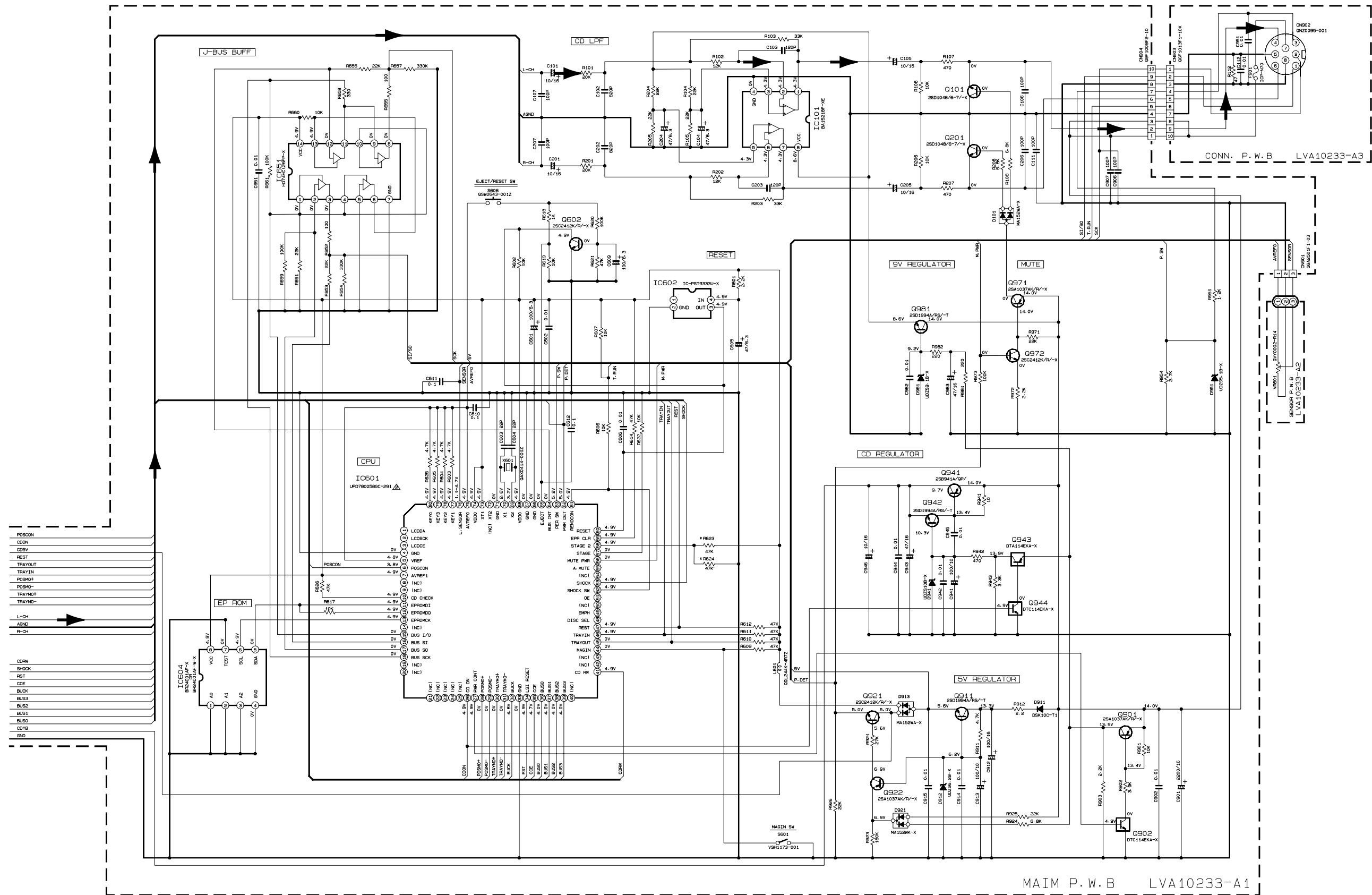
5

4

3

2

1



MAIM P.W.B LVA10233-A1

	CD-RW	R623	R624
CH-X400J2/E2		×	○
CH-X450J2		○	×
Except Avobe		○	×

DTA114EKA		
DTC114EKA		

NOTES

- VOLTAGES ARE DC-MEASURED WITH A DIGITAL VOLT METER WITHOUT INPUT SIGNAL CONDITION—CD MODE.
- UNLESS OTHERWISE SPECIFIED, ALL RESISTORS ARE 1/4W OR 1/4W ±5% METAL GLAZE RESISTOR. ALL CAPACITORS ARE 50V OR 25V CERAMIC CAPACITOR. ALL RESISTANCE VALUES ARE IN OHM. ALL CAPACITANCE VALUES ARE IN uF (P=PF) ALL CAPACITORS ARE SHOWN IN THE FORM OF CAPACITANCE(uF)/RATED VOLTAGE(V)

➔ SIGNAL

Main circuit 2/2

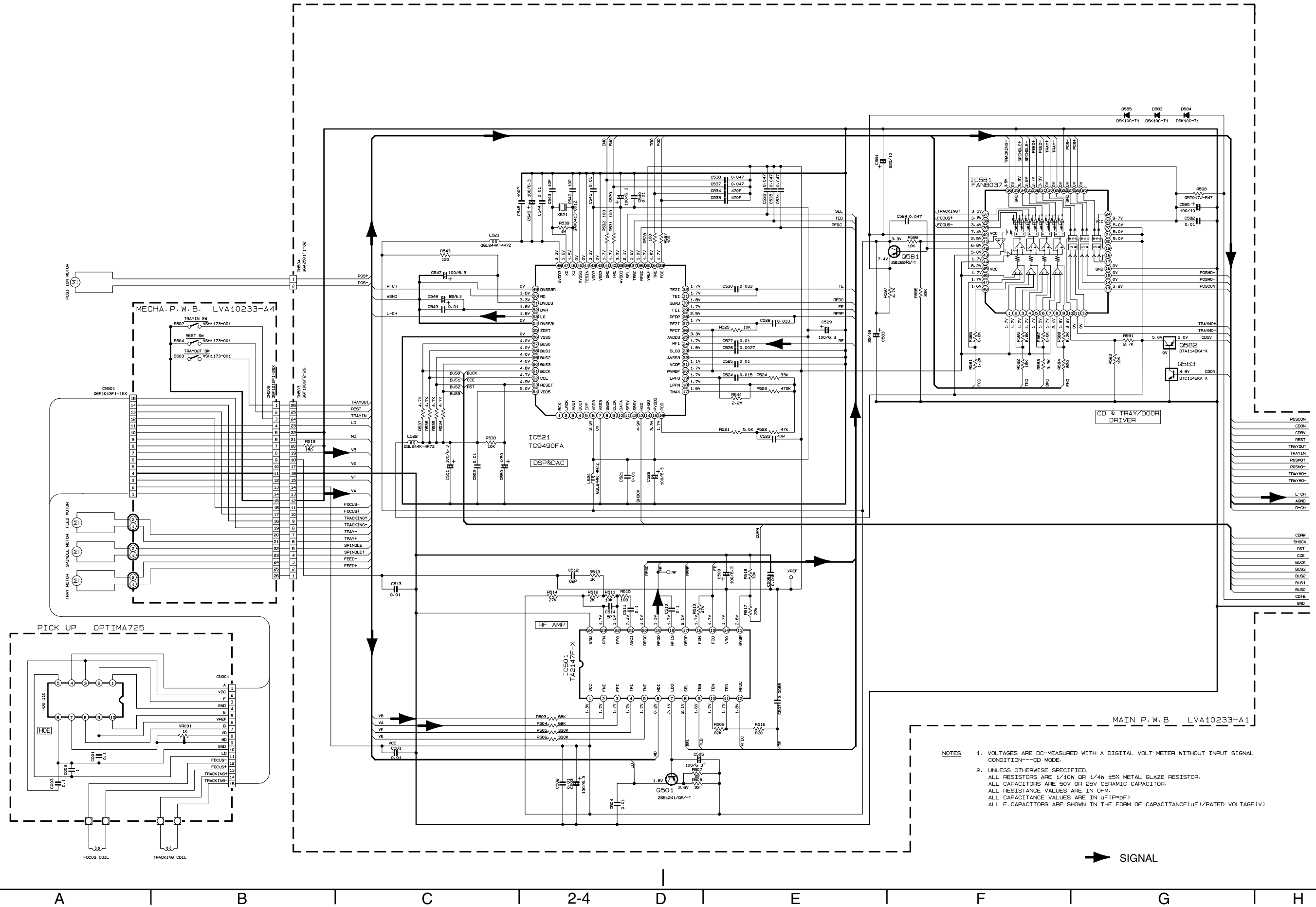
5

4

3

2

1



- NOTES
1. VOLTAGES ARE DC-MEASURED WITH A DIGITAL VOLT METER WITHOUT INPUT SIGNAL CONDITION---CD MODE.
  2. UNLESS OTHERWISE SPECIFIED.  
ALL RESISTORS ARE 1/10W OR 1/4W ±5% METAL GLAZE RESISTOR.  
ALL CAPACITORS ARE 50V OR 25V CERAMIC CAPACITOR.  
ALL RESISTANCE VALUES ARE IN OHM.  
ALL CAPACITANCE VALUES ARE IN uF(P=pF)  
ALL E. CAPACITORS ARE SHOWN IN THE FORM OF CAPACITANCE(uF)/RATED VOLTAGE(V)

➔ SIGNAL

A B C 2-4 D E F G H